

Questionnaires will go out soon to determine who is bringing what.

RANV dues are now collected annually. They are due by the end of the year – please take care of this now if you haven't already. Go to <https://www.ranv.org/ranvpay.html>.

RANV activities are open to all hams and potential hams, but we suggest that everyone join the club to help support the activities. A new membership list will be generated January 2nd so be sure to get your dues in by then.

Our January activity is the Ham Breakfast, which will be held on Saturday, January 25th 9-11AM at JP's Deli in Essex. Be sure to join us for great eats and great times.

HAM-CON will be Saturday, February 22nd 8AM-1PM at the Hampton Inn in Colchester. We will once again run our special admission offer: \$5 for RANV members (must pay 2025 dues) before the end of the year. The early admission goes up after that, and will be \$12 at the door, so don't wait. We are looking for people to help plan speakers, activities, setup and door prizes. Please let me know if you are willing to help with suggestions to make HAM-CON even better. We will start having on-line meetings in December.

Oh, and we have a repeater (largely inactive) and reflector (quiet lately) where activity can also take place. Get on the air or on line and have some fun!

RANV WINS FIELD DAY!

4TH TIME FIRST PLACE FINISH

The results are in. RANV has taken the top spot in the 2A Field Day category for the 4th consecutive year with a score of 20,662, well above the rest of the pack. Of all Field Day groups across all categories, we had the 5th highest score. All of those other groups were running far more stations than we were. In fact, we were very close (250 points) to

being the 3rd highest overall score. Incredible achievement!

A big contributor to the big numbers were the efforts of the GOTA station – our beginners – who ran up some big numbers of their own.

Tremendous job everyone! This achievement makes me very proud.

In these days when it seems like incompetence and excuses are all around us, it is a great thing to strive for excellence and get there. And it is not like we were perfect. There were lots of little hiccups along the way. We just knew how to deal with the issues and continue on making contacts.

Our biggest challenge is recruitment! The old guys are getting older and we are not attracting very many new people. We must all rise to this challenge. Look for young people who like to play games! Instead of playing games on a computer, offer the ability to play with a radio AND computer. A license is not really necessary at this point – just the desire to play the game! The Vermont QSO Party is coming up in 10 weeks. My station is open for new people to learn to play radio. All we need to do is to get them to show up. Contesting is such a strong drug that once they are in the chair, we got 'em!

As is our tradition, chocolate cake for everyone at the RANV Party on December 21!

40Ah DC Power Station

Ron Rossi, [KK1L](#)

To complement my portable HF station, I put together a LiFePO4 12V battery bank to let me set up away the camper I often use as a base station or a generator. The cost of off the shelf setups are at least 2x more than this DIY for the same performance. LiFePO4 batteries are getting quite inexpensive and are easily available. You do have to watch out for uber-cheap manufacturers and Will

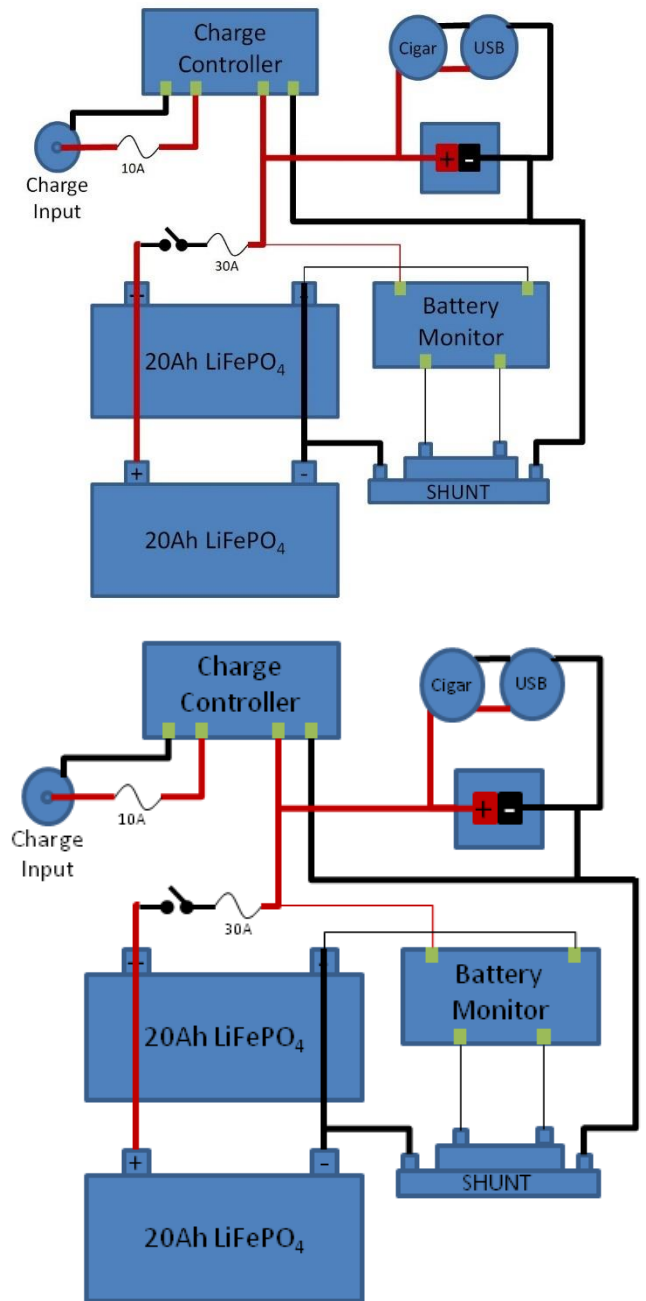
Prowse on YouTube has some excellent reviews to the point of dissecting batteries checking out the internal management systems and construction techniques...highly recommended. I found that Goldenmate are quite good and the price is right.

I used off the shelf stuff from Amazon and a few things I had in the shack waiting to be used for something. I sized the batteries based on the case I had to put them in. Two 20Ah batteries fit well and will provide me with at least 8 hours of continuous digital mode operation with my KX2, 50W amp, laptop, mobile phone hotspot. On phone or CW this should extend out to 10 hours or more before recharging.

The solar controller is designed for an array of "12V" panels (which put out closer to 20V open circuit), but you can also use 15V to 20V power supply instead. I repurposed an 18.5V 65W supply from an old laptop which provides about 5A charge current to fill up the batteries in 8 hours. I could use a beefier supply, but it is what I have and it fits in the lid of the ammo box.

Parts List:

- 2 x Goldenmate 12V 20Ah LiFePO4 Deep Cycle batteries \$120 plus 20% off coupon(!)
- 1 x Renogy 10A PWM Solar Charge Controller \$26 (varies...I paid \$19)
- 1 x CGELE DC Multifunction Battery Monitor with 100A shunt \$19
- 1 x QC 3.0 12V Cigarette Socket & USB Charge Ports \$9
- 1 x 5pcs 10A DC 5.5x2.1mm Power Jack (only need 1) \$8
- 1 x Powerwerx Chassis Mount Dual Anderson Powerpole Connectors \$19
- 1 x 100pcs Copper Wire Lugs (way more than needed) \$11
- Various Cu wiring I had on hand
- Plastic Ammo Case



October RANV Meeting Minutes Bob **K1BIF**

RANV meeting 10/8/2024

Attendance: KC1IFK, W1SJ, K1BIF, KK1L,
AA1SU, KB1ZEB, KC1JGM, W4YFJ

On line: W1EJC, K1KI, N1WCK, N1DMP,
KB1LOT, AB1OC

Meeting began at 7:15

We did introductions. We nominated N1YD, Jeff,
as secretary, Stew for president, and
George as treasurer. Stew gave us a recap of his
shack being drowned due to a boiler
bursting in his basement.

Then Tom Frenaye gave a presentation on why we
should vote for him as NE director.

After Tom, Fred kemmerer gave us a presentation
on why we should vote for him.

Both talks are recorded and can be found on:
Tom Frenaye K1KI:

<https://www.youtube.com/watch?v=livpHtsHSAg>
Fred Kemmerer AB1OC:

<https://www.youtube.com/watch?v=00RrCXYtsW4>
Meeting ended at 9:05

Steering wheel is at JP's at noon Tuesday Oct 15 th

Bob, k1bif, secretary





NEWS & VIEWS

INSIDE

- World Radio League
- UPCOMING RANV ACTIVITIES
- RANV WINS FIELD DAY!
- 40Ah DC Power Station
- October Meeting Minutes

NEXT MEETING

Holy Family Parrish Hall
Tuesday November 12th 7:00pm

Meeting Topic
World Radio League / RANV Elections

Upcoming, Notices, & Misc

- Steering Wheel: 3rd Tue Noon; JP's Essex, Vt
- VE Exams every 2nd Friday;
- Contact AB1WG for information
- Dues due? Pay online at www.ranv.org/ranvpay.html